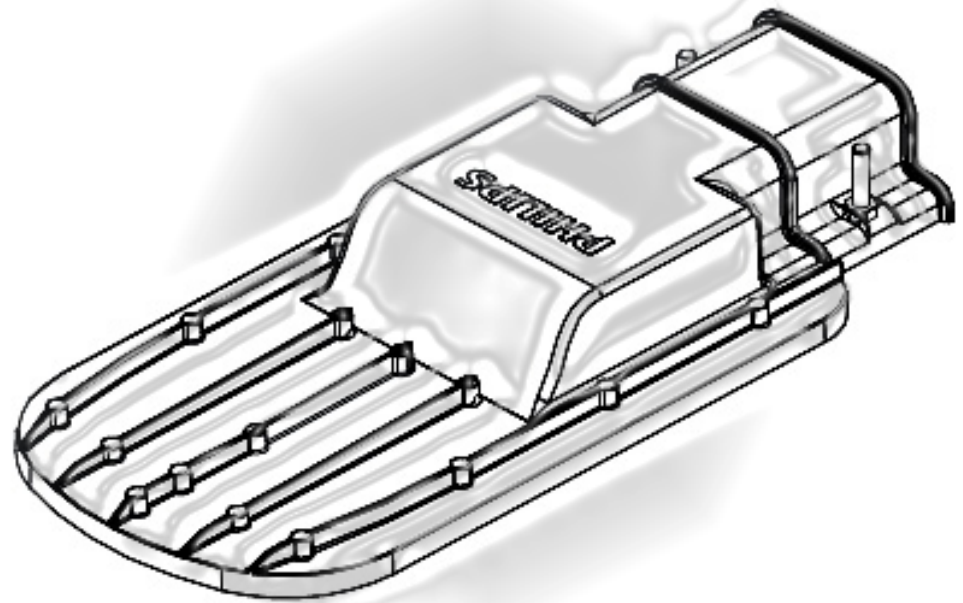


BRP210 (StreetStar)

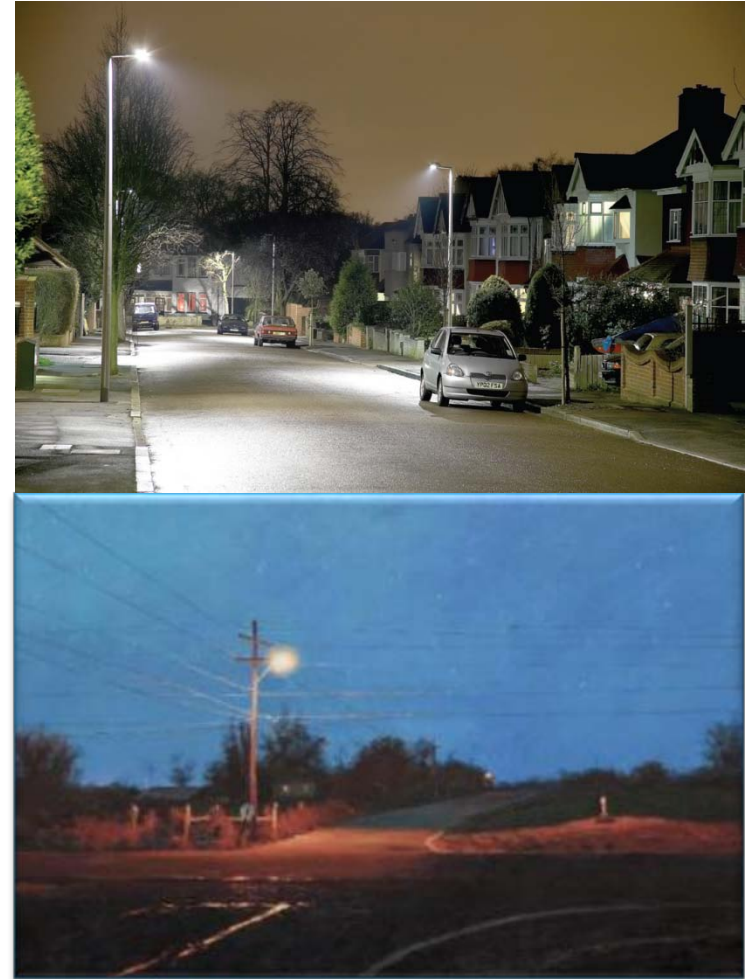
BRP210 (StreetStar)

Low Lumen package solution



BRP210 (StreetStar)

- BRP210 is developed to target rural development projects in Asia and Africa and to explore trade street lighting segment.
- BRP210 offer competitive option for low lumen package street lighting while maintaining Philips quality standards and meeting all IEC 60598 requirements.
- Compact design for easy Point-to-point replacement of fluorescent and HID streetlights.



Key Features

- IPP 66
- IK08
- Weight 1.1 Kg
- 50K hours @ 70% lm maintenance Ta35 °C
- Operating temperature $-40^{\circ}\text{C} < \text{Ta} < 55^{\circ}\text{C}$
- 3,000 lumen package (5700K and 4000K)

Compact Design



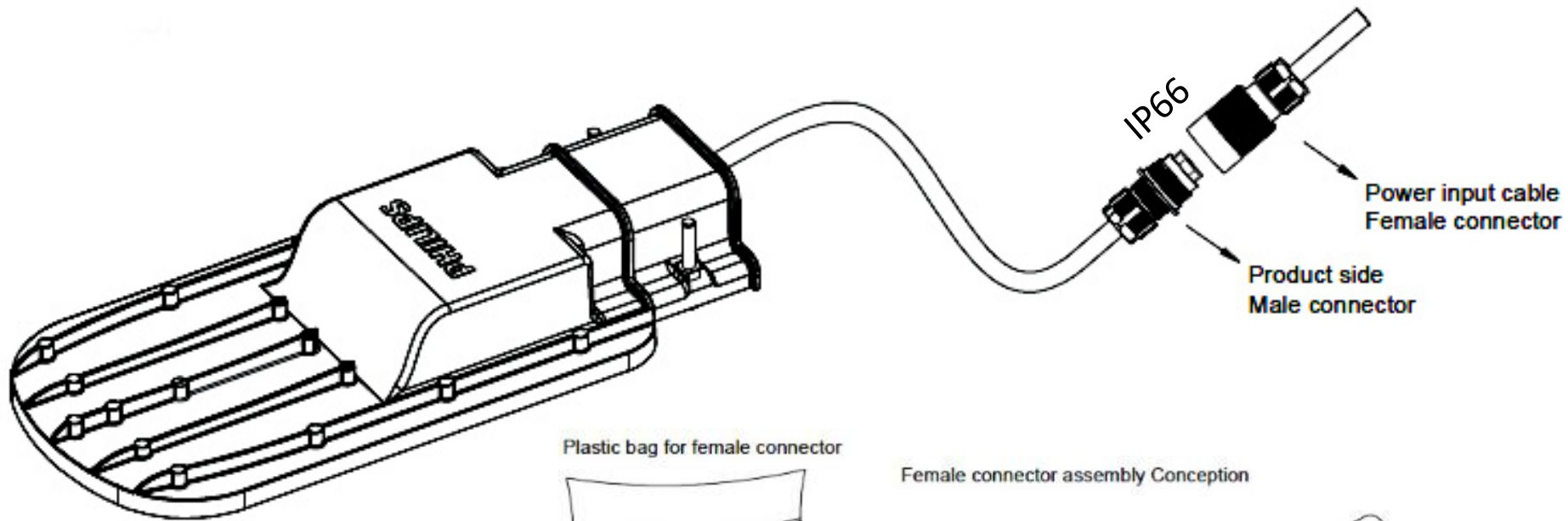
Description	Lumen	Power	cct
BRP210 LED31/CW 27W 220-240V DM3 MP1	3,078	27	5700
BRP210 LED31/NW 27W 220-240V DM3 MP1	3,078	27	4000



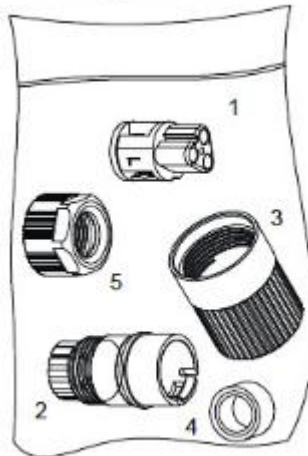
PHILIPS

BRP210 (StreetStar)

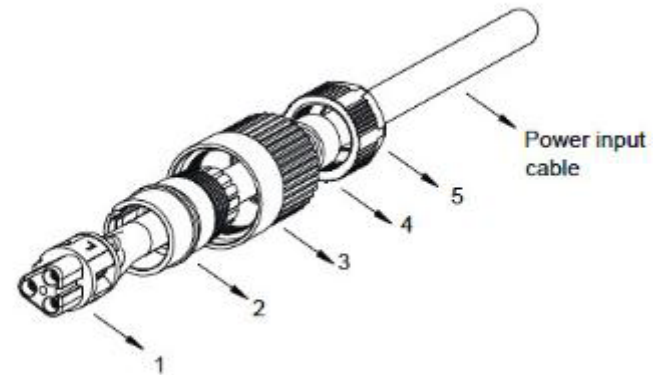
For easy and safe installation, BRP210 will come with prewired power cable and assembly of input connector.



Plastic bag for female connector



Female connector assembly Conception



Note: Please install the wire as the L,N & Earth mark which noted in the female connector

BRP210 (StreetStar)

Product Elements	BRP210 / StreetStar
Housing	Die-cast aluminum (ADC1)
	RAL7040 - Grey colour
	Salt spray test 500 hrs
Front Plastic Cover	(Tarflon LEV2200KL) UV resistant plastic cover
LED Specification	4000K & 5700K / CRI Min 70
System efficacy	114 Lumen per watt
Optics	Multilayer DW3 optic
Rated/certificated voltage	AC: 220-240V (50/60Hz)
Operational voltage for AC driver	170-250V (50/60Hz)
Power Factor	0.95
Lifetime	50K hours @ 70% lm maintenance Ta35 °C
IP rating	IP66
IK rating	IK08
Mounting	Side Entry 40 - 60mm
Installation	Power input cable (0.5m) and connector (IP66) assembly Included
Weight	1.1 Kg
Surge protection	10KV (for AC version)
Approbations	CB IEC60598, IEC61347-1, IEC61347-2-13, IEC62384,RoHS Declaration, AS/NZ 60598,Photobiological,LM80,EMC,EMF
Operating temp	-40°C < Ta< 55°C
Wind speed	Wind Force83.5N
humidity	Operation humidity: 93%

Drawing

Unit in mm

